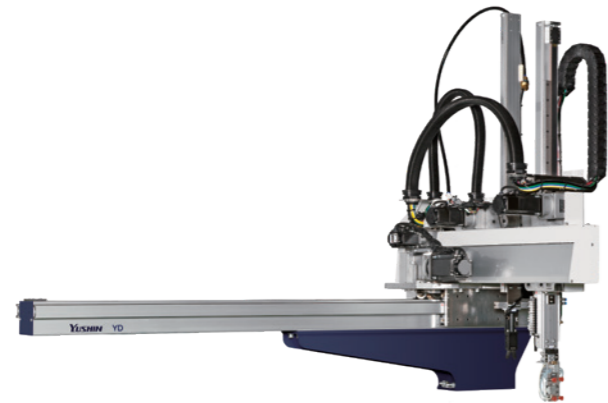


Separate catalog available

YD-0103S/D

Enhanced design for higher productivity, less downtime, and lighter environmental footprint.



For CE supported languages, please contact our sales department.

Clamping force 30tf or less

Vibration control

Optimized design + Power-saving

All-axis servo-driven

All-Axis Servo Driven Take-out Robot Enhancing Customer Profitability and Environmental Measures

Combining design optimization, CFRPv3, and vibration control contribute to shorter cycle time and stable take-out.

We have refined our unique ECO Vacuum™ technology to reduce compressed air consumption even further. As a result, robot air consumption can be economized and can reduce capital expenditures.

The smallest model in the YD series lineup, the YD-0103 is sized for the smallest molding machines with a clamping force of 30 tf or less and is optimal for taking out small high-precision products.

Equipped with E-touch compact 3 as standard



- Smart ECO Vacuum
- Take-out Diagnosis Function
- Torque Monitoring during Manual Operation

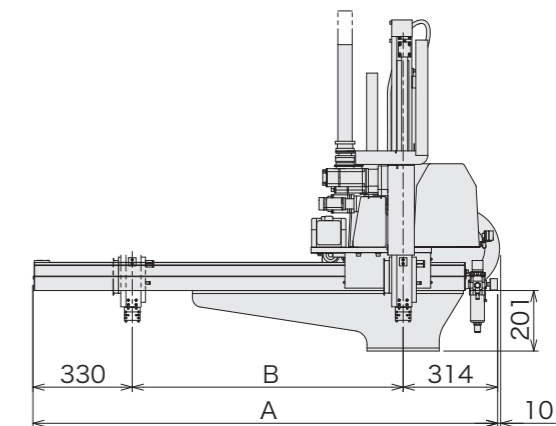
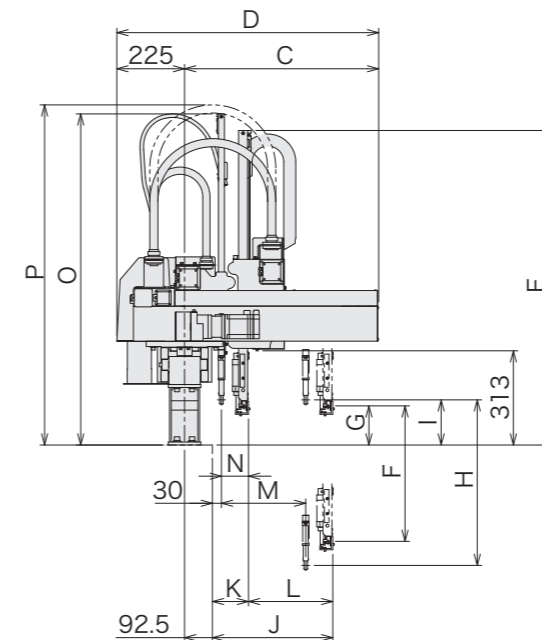
The E-touch compact 3 takes the easy operability of the previous YC series controller. And several assist features to become even easier to use.

Standard Specifications

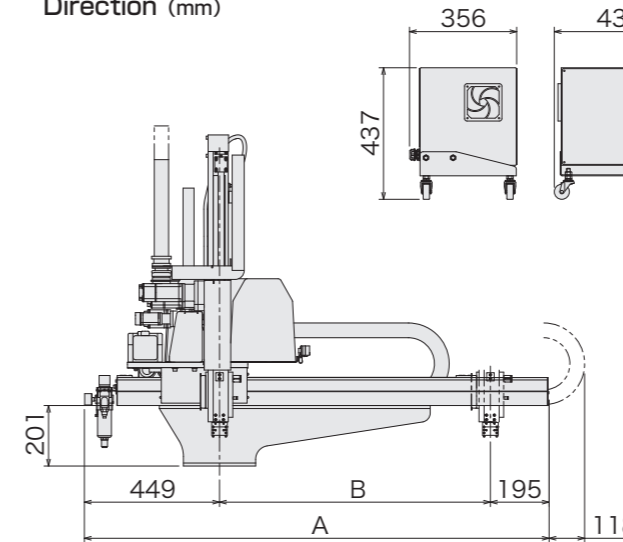
Power supply		Drive method		Controller model		Working air pressure		Flip angle	
200/220 VAC (50/60 Hz) Single phase		Digital servo motor 3/5-axis		E-touch compact 3		0.49MPa		90°	
Model	Power consumption	Traverse stroke [mm]	Kick stroke [mm]		Vertical stroke [mm]		Air consumption [NL/cycle]	Payload [kg]	Target IMM clamp capacity [tf]
			Main arm	Sub arm	Main arm	Sub arm			
YD-0103S	1.9 kVA 200 VAC 9.3 A	900 (1200) (1600)	320 (470)	—	450 (550)	—	2.3 Smart ECO Vacuum OFF	2 (3)	30 or less
YD-0103D	2.2 kVA 200 VAC 10.8 A		280 (430)	280 (430)	550 (650)	—	0.8 Smart ECO Vacuum ON		

S type : Robot is equipped with main arm only. D type : Robot is equipped with main arm and sub arm.
 () : Modified stroke () : Increased maximum payload
 Payload includes the end-of-arm tool.
 The 1600mm extended traverse stroke option includes the extended kick stroke as a set.

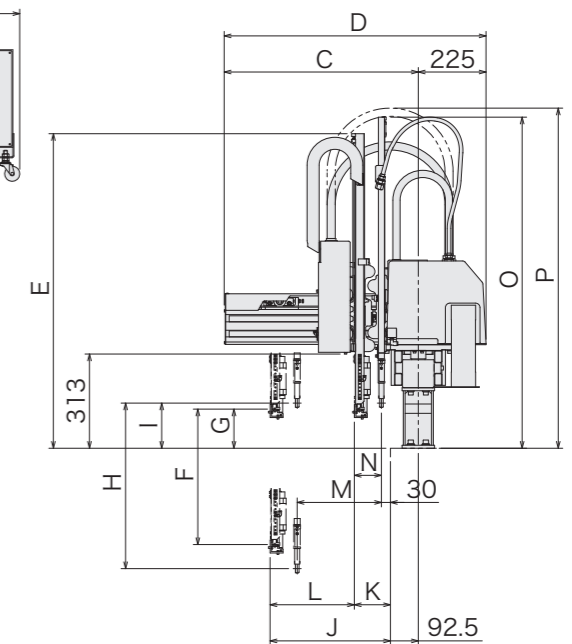
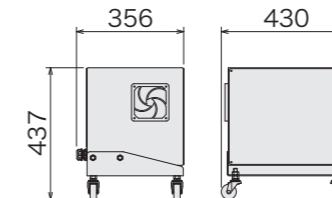
Rear (Non-operator) Side Discharge Direction (mm)



Operator Side Discharge Direction (mm)



Control Box (mm)



[mm]

Model	A	B	C	D	E	F	G	H
YD-0103S	1544 (1844)	900 (1200)	645 (795)	870 (1020)	1045 (1145)	450 (550)	130	—
YD-0103D	1544 (2244)	900 (1600)	645 (795)	870 (1020)	1045 (1145)	450 (550)	130	550 (650)
Model	I	J	K	L	M	N	O	P*
YD-0103S	—	400 (550)	80	320 (470)	—	—	1100 (1200)	(1130)
YD-0103D	150	400 (550)	120	280 (430)	280 (430)	90	1100 (1200)	(1110)

() : Modified stroke
 * For modified kick stroke