

HOP Five 450/550/650/750/900/1000

Culmination of years of swing type take-out robot development and refining

A compact body packed with functions

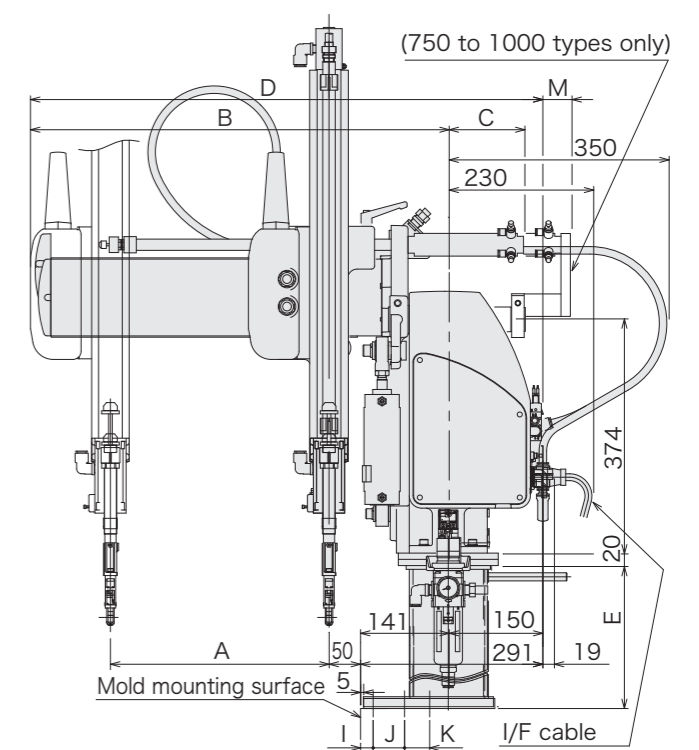
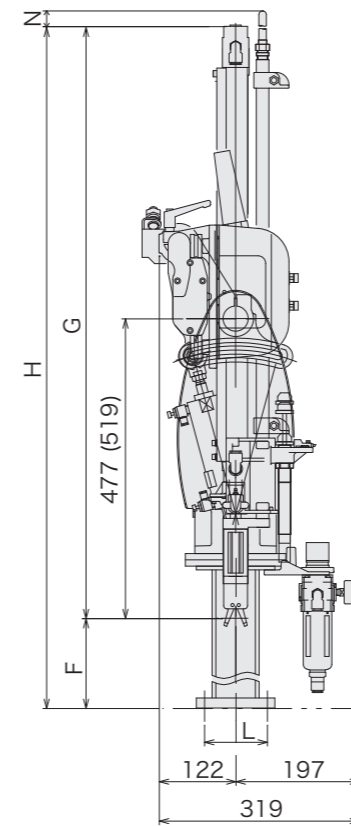


For CE supported languages. Please contact our sales department.

Clamping force 30 - 350 tf

Air-driven

Separate catalog available



Model	A	B	C	D	E	F	G	H	I	J	K	L	M	N
HOP Five 450							845(887) (854)(896)	1012(1112) (1021)(1121)						259 (249)
HOP Five 550	350	662	121	811	250 (350)	167 (225)	945(987) (954)(996)	1112(1212) (1121)(1221)	20	50	40	100	-	
HOP Five 650							1045(1087)	1212(1312)						259
HOP Five 750							1192(1234)	1459(1559)						
HOP Five 900	620	992	181	1141	350 (450)	267 (325)	1342(1384)	1609(1709)	25	60	60	128	47	161
HOP Five 1000							1442(1484)	1709(1809)						

() : X Specification < > : High-Speed Specification < > : X High-Speed Specification

Reliable Stability with Compact Body

It offers a compact design with integration of robot body and control mechanism including transformer and control circuit board. It is applicable even for high-speed molding with stable take-out operation thanks to its robust body.

Efficient Design

It also offers efficient operation because its design allows operators to do all of the main adjusting operations, including stroke adjustments, at the operator side of molding machines.

Sophisticated Appearance

The housing cover is painted Yushin corporate blue, with color-coded piping and a user-friendly shape composed of curved surfaces and lines. Select from two types of controllers according to your preference.

Standard Specifications

Power supply		Drive method		Controller model*		Working air pressure		
GIIB: 200VAC CH: 200/220VAC (50/60 Hz) Single phase		Air cylinder 3-axis		GIIB-type controller/ CH-type controller		0.49MPa		
Model	Power consumption	Stroke			Chuck position [mm]	Air consumption [NL/cycle]	Payload [kg]	Target IMM clamp capacity [tf]
		Vertical[mm]	Kick[mm]	Swing				
HOP Five 450	GIIB: 0.06kVA 200VAC 0.3A	450	90	Min.50° Max.90°	Range 114	11	2	30-350
HOP Five 550		550				13		
HOP Five 650		650				15		
HOP Five 750	CH: 0.06kVA 200/220VAC 0.3A	750	150		Range 48	18		
HOP Five 900		900				21		
HOP Five 1000		1000				23		

* Select a GIIB-type controller for CE compliance. X, XC, and XN Specifications are available. Payload includes the end-of-arm tool.