

Separate catalog available

## SXC-10 II /40 II -HSY

SXC-10II/40II-HSY supports micro-molding that requires speed and precision while improving production cycles



Photo shows robot with optional suction EOAT

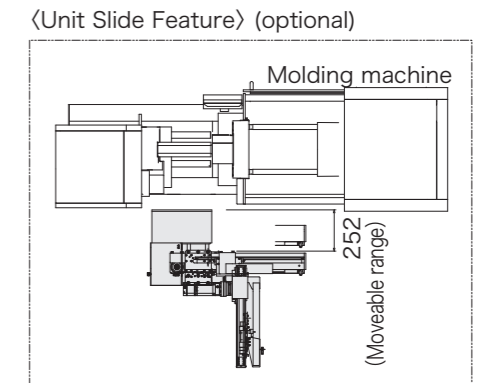
- Clamping force** 5 - 40 tf
- Standard**      **Super-high speed**
- Vibration control**      **Optimized design**
- Ultra-low overall height (Side entry)**      **All-axis servo-driven**

### Standard Specifications

Power supply	Drive method	Controller model	Working air pressure	Flip angle		
200/220 VAC (50/60 Hz) 3 phase	Digital servo motor 2-axis	E-touch Lite II	0.49MPa	90°		
Model	Power consumption	Traverse stroke (mm)	Kick stroke (mm)	Air consumption (NL/cycle)	Payload (kg)	Target IMM clamp capacity (tf)
SXC-10II-HSY	1.8 kVA 200 VAC 5.1 A	400 (550)	200 (330)	15 : Suction ejector 0.5 : Suction motor 3.0 : Suction	1	5-15
SXC-40II-HSY		750	330			15-40

( ) : Modified stroke  
Air consumption listed above applies when the suction time is 2 seconds per cycle and the product release blow-off time is 0.5 seconds per cycle. Payload includes the end-of-arm tool.

Note 1 : A = Measurement from floor to IMM nozzle center  
Note 2 : B = Measurement to IMM nozzle center  
Note 3 : Measurements in [ ] are for SXC-10II-HSY  
Measurements in ( ) are for the modified stroke specifications of SXC-10II-HSY



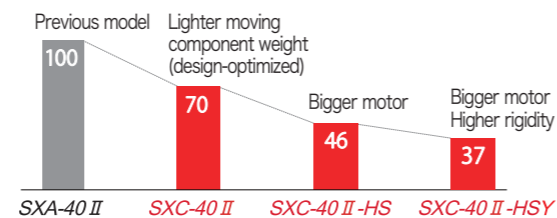
### The Highest Performance Model in the SXC Series

The new SXC series addition embodies improvements made to SXC-10II/40II-HS, achieving higher performance with shorter take-out time and better vibration damping. Boost your molding productivity with these super high-speed robots.

### High-speed

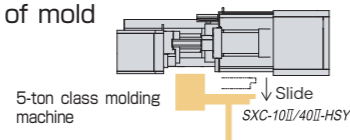
Greater motor capacity and rigidity allow even higher-speed operation.

#### Take-out Time Reduction



### Easier Maintenance

The SXC features a unit slide mechanism for easier workability of mold maintenance.



#### Shorter Timers

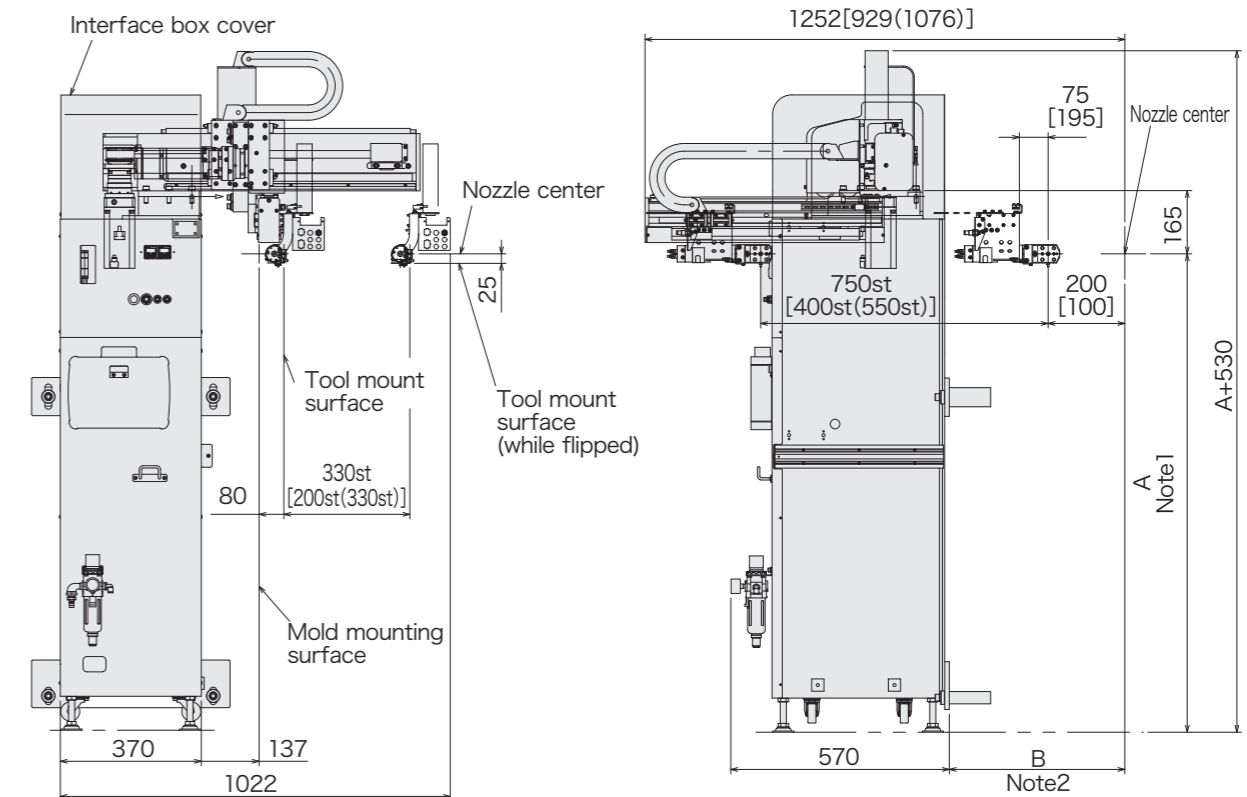
Less shake means shorter wait timers, allowing for faster overall molding cycles.

#### Smooth, Stable Take-out

The SXC maintains smooth take-out, handling, and release motions even at high speed, which makes it ideal for high-precision molding.

### E-touch Lite II

- 7.5-inch full-color touch screen
- Lead Through Teaching



SXC-10 II /40 II -HSY

Side Entry Type