

HST-600S/D/DS

■ Features

- 400–650 tf**
- 3/5-axis**
- Dual support type**
- Reduced overall height type**
- On robot body**
- E-touch II***

Built Lighter & Faster

Yushin R&D employed Design Optimization to enhance the shape and structure of many HST components for lighter weight. The effort succeeded in trimming a great deal of weight from the HST's moving components. As a result, the HST enjoys faster speeds without any motor size increase.

Shorter Settling Times

Design Optimization + CFRP + Anti-Vibration Controls

Design Optimization examined such factors as natural oscillation and damping characteristics to give the HST greatly improved vibration control. Specifically, settling time (time required for oscillations to calm down to within a set value) was drastically shortened.

* Smaller E-touch compact II controller also available.

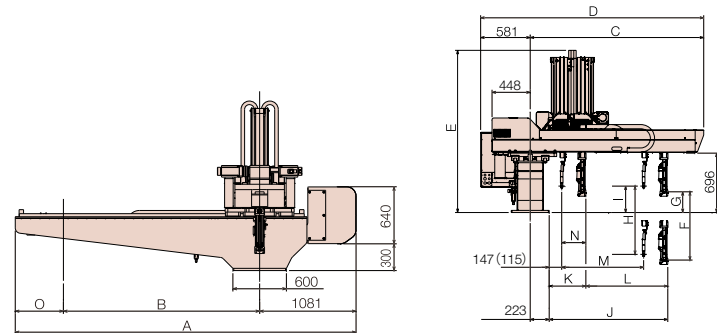
■ Standard Specifications

Power source	Driving method	Control method	Air pressure	Wrist flip angle
3 phase AC200V/220V/230V (50/60Hz)	Digital servo motor 3/5-axis	Micro computer control	0.49MPa Maximum allowable air pressure (factory) 0.7MPa	90deg

Model	Power consumption	Traverse stroke (mm)	Kick stroke (mm)		Vertical stroke (mm)		Air consumption (NL/cycle)	Payload (kg)	Clamping force (tf)
			Main arm	Sub arm	Main arm	Sub arm			
HST-600S	3 phase AC200V 17.3 A Max.	2200 [2500] [3000]	1160	—	1300 [1550] [1800]	—	8.1	15	400 ~ 650
HST-600D	3 phase AC200V 23.1 A Max.		960	960					
HST-600DS	3 phase AC200V 26.0 A Max.								

S type: Robot is equipped with product take-out arm only. D type: Robot is equipped with product take-out arm and runner take-out arm. DS type: Robot is equipped with 2 product take-out arms.
 []: Modified traverse stroke
 Payload includes the end-of-arm tool.

■ Dimensions (mm)



Model	A	B	C	D	E	F	G	H	I	J	K	L	M	N	O
HST-600S	—	—	—	—	—	—	—	—	—	—	230	1160	—	—	—
HST-600D	3821 (4121)	2200 (2500)	2033 (2300)	2614	1901 (2021)	1300 (1550)	243	1300 (1550)	310	1390	430	960	960	283	540 (565)*
HST-600DS	—	—	—	—	—	—	—	—	—	—	—	—	—	315	—

[]: Modified stroke
 (): DS type dimensions
 *Modified traverse 3000mm stroke.



*Robots are available in 2 different colors
 *The picture above shows DS type robot.

PAT.